

FLOWTREN LKB-R BUTTERFLY VALVE & FLOWTREN LKLA-R ACTUATOR



Flowtrend® LKB-R Butterfly Valve & LKLA-R Acuator are Flowtrend manufactured replacement for the Alfa Laval® LKB Butterfly Valve & LKLA Acuator. Flowtrend's parts and products are not Alfa Laval® parts and products, and Alfa Laval® does not endorse, approve or warrant Flowtrend's parts or products, or their use.

11512 Space Center Blvd, Houston Texas 77059
 P +1 281 990 8582 F +1 281 990 8644

WWW.FLOWTREN.COM

FLOWTREN

SMARTER, FASTER FLUID HANDLING SOLUTIONS

Flowtrend Replacement for the Alfa Laval® LKB butterfly valves, LKLA actuators, Alfa Laval® B51 manual valves and B53 automatic valves

Features

- Manual or remotely controlled by compressed air
- Rising stem feature allows for addition of control tops for providing position feedback and housing of solenoids
- Repairable actuator and valve
- Valve and actuator laser etched for easy identification
- Visual indication of open/closed position
- Intended to be interchangeable with Alfa Laval® and Tri-Clover®
- All stainless construction: forged, precision-machined body and disc
- Standard stock item

Materials

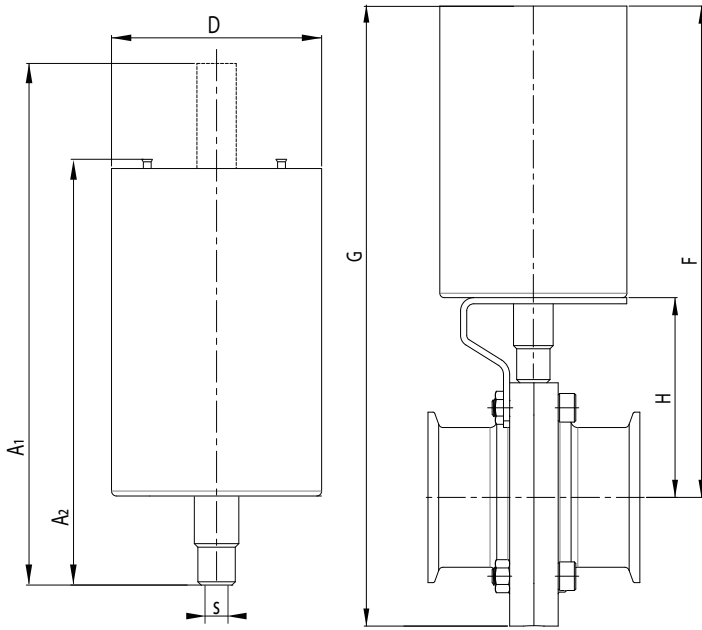
Materials	AISI 304 or 316 Stainless Steel, Wetted parts AISI 304 Stainless Steel, Non-Wetted parts
Surface Finish	ID: 32Ra Standard
Bushings	PVDF
Elastomers	FDA Silicone, EPDM, FKM/FPM, HNBR
End Connections	Clamp ends standard, butt-weld available

Technical Data

Available Sizes	1"-6" [25.4mm - 152.4mm]
Actuator Sizes	3.35" - 5.24" [85mm - 133mm]
Handle Options	2, 4, and Infinite positions, lock out/tag out
Max Pressure Range	145 psi [10 bar]
Min Pressure Range	Full vacuum
Temperature Range	15° to 200°F [-9.4°C to 93.3°C]
Actuator Functions	NO [air-to-close], NC [air-to-open], AA [air-to-open, air-to-close]
Actuator Supply Air	60-100 psi [4.1 - 6.9 bar]

Dimensions

ACTUATOR DIMENSIONS



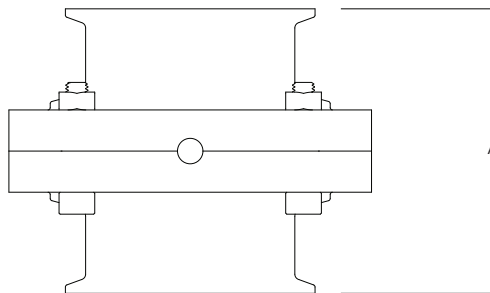
VALVE SIZE		A ₁		A ₂		F		G		H		S	
in	mm	in	mm	in	mm	in	mm	in	mm	in	mm	in	mm
1 - 2.5 [85mm]	25.4- 63.5	9.61	244.1	7.60	193.0	8.56	217.4	10.13	257.3	2.72	69.1	.31	7.9
3 [85mm]	76.2	9.53	242.1	7.52	191.0	9.44	239.8	12.06	306.3	3.59	91.2	.39	9.9
4 [85mm]	101.6	9.53	242.1	7.52	191.0	10.25	260.4	13.56	344.4	4.38	111.3	.47	11.9
4 [133mm]	101.6	14.29	363.0	12.44	316.0	15.38	390.7	18.70	475	5.60	142.2	.47	11.9
6 [85mm]	152.4	9.69	246.1	7.68	195.1	11.55	293.4	15.80	401.3	5.60	142.2	.59	15.0
6 [133mm]	152.4	14.29	363.0	12.44	316.0	16.31	414.3	20.56	522.2	6.50	165.1	.59	15.0

NOTE: Suitability depends on process conditions

Face-to-face dimensions measured from connection to connection (clamp and weld)

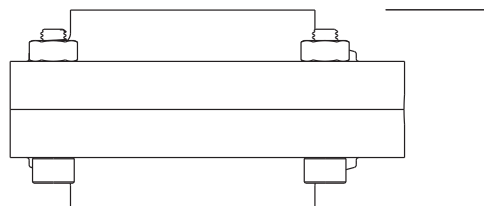
CLAMP ENDS

VALVE SIZE		A	
in	mm	in	mm
1	25.4	3.50	88.9
1.5	38.1	3.50	88.9
2	50.8	3.69	93.7
2.5	63.5	3.75	95.5
3	76.2	4.06	103.1
4	101.6	4.75	120.7
6	152.4	6.13	155.7



WELD ENDS

VALVE SIZE		A	
in	mm	in	mm
1	25.4	1.85	47.0
1.5	38.1	1.85	47.0
2	50.8	2.05	52.1
2.5	63.5	2.13	54.1
3	76.2	2.44	62.0
4	101.6	3.15	80.0
6	152.4	3.15	80.0



FLOWTREND LKB-R BUTTERFLY VALVE & FLOWTREND LKLA-R ACTUATOR



TWO OR FOUR POSITION HANDLE



INFINITE POSITION HANDLE



LOCK-OUT/TAG-OUT HANDLE

Flowtrend® LKB-R Butterfly Valve & LKLA-R Acuator are Flowtrend manufactured replacement for the Alfa Laval® LKB Butterfly Valve & LKLA Acuator. Flowtrend's parts and products are not Alfa Laval® parts and products, and Alfa Laval® does not endorse, approve or warrant Flowtrend's parts or products, or their use.

11512 Space Center Blvd, Houston Texas 77059

P +1 281 990 8582 F +1 281 990 8644

WWW.FLOWTREND.COM